



POLYPLAST
CHEMI-PLANTS (I) PVT.LTD

55th
ANNIVERSARY

**FIGHTING
CORROSION
SINCE 1967**

50 YEARS OF RESILIENCE

**“SUCCESS IS NOT FINAL,
FAILURE IS NOT FATAL,
IT IS THE COURAGE TO CONTINUE THAT COUNTS”**

- Winston Churchill



POLYPLAST CHEMI-PLANTS (I) PVT. LTD. has been providing global solutions to fight corrosion since 1967. With our strength of more than 200 skilled labours and 10,000 Sq meters of fabrication we become the preferred choice for our customers. We cater to a niche segment, it works best as a replacement to steel which corrodes very easily and becomes much cheaper than exotic metals.



OUR DESIGN STANDARDS

British Standard:
 BS 4994-1987, BS EN-13121
 BS -6464-1984, BS7159-1989,
 BS-5480-1990, BS-5500/53,

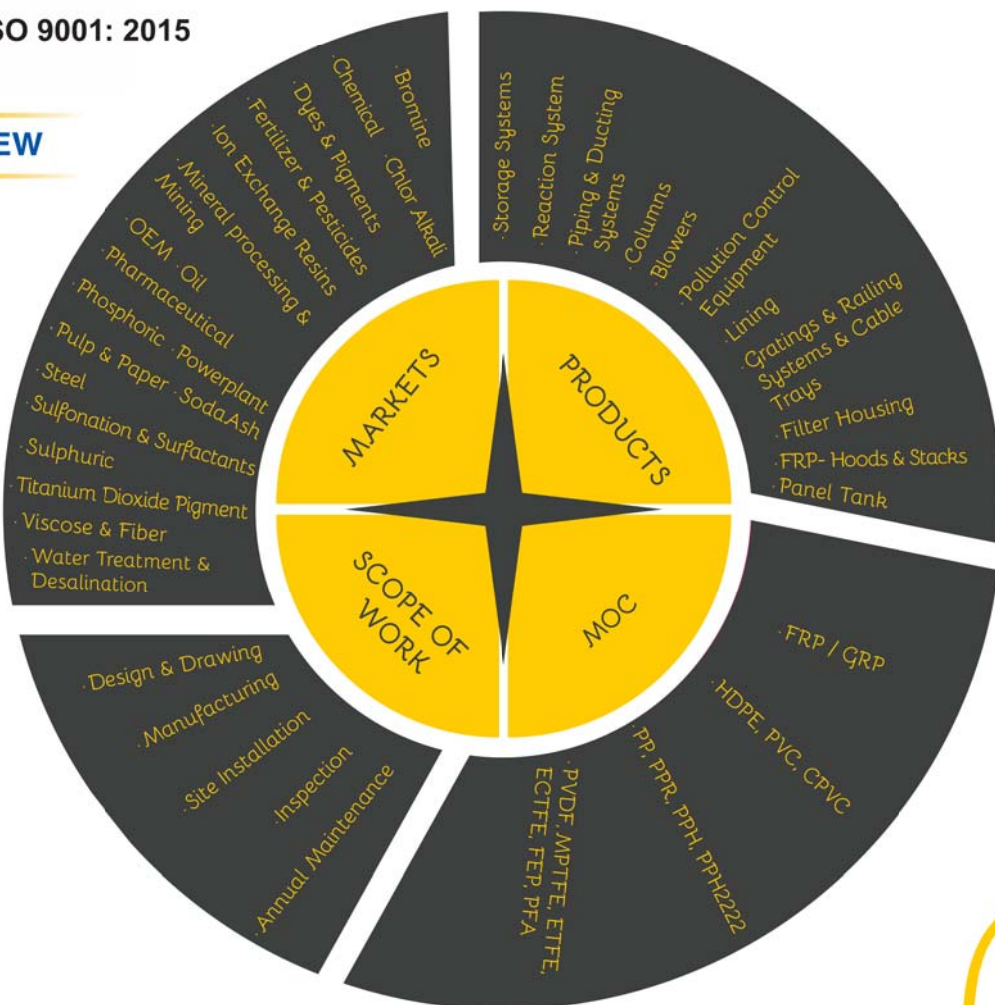
American Standard:
 ASTM D 3982
 ASME RTP 1 2013, AWWA M-45
 & C-950, ASME Sec X

German Standard:
 DIN 16965: Part 4 & 5,
 DIN 16966: Part 1,2,4,5 & 6,
 AD 2000-MERKBLATT N1

OUR CERTIFICATION

CE & ISO 9001: 2015

OVERVIEW



WE ARE WORKING WITH FOLLOWING CONSULTANTS & EPC CONTRACTORS

- TKIS India Pvt. Ltd.
- Outotec
- Larsen & Toubro Ltd. (ECC Division)
- Simon India Ltd.
- Tata Consulting Engineers Ltd.
- Toyo Engineering India Ltd.
- Technimont ICB Pvt. Ltd.
- Aker Powergas Pvt. Ltd. (AKER SOLUTIONS)
- Jacobs H&C Pvt. Ltd.
- SPB Engineering & Project Consultants
- Mott Mac Donald Pvt. Ltd.
- Protech Consultants Pvt. Ltd.
- Gammon India
- Shroff & Associates (Engineers) Pvt. Ltd.
- Demech Consultants
- Aevitas Pharmagro Tech Pvt. Ltd.
- Chemtex Global Engineers Pvt. Ltd.
- Pipecon Consultants Pvt. Ltd.
- IBI Chematur Ltd.
- Gunnebo Pvt. Ltd.

CERTIFICATES



STORAGE TANKS

36 KL x 6 No. PP / FRP Storage: 35% HBr+18% H2SO4



As per requirement
Hand lay up / Filament - Wound
Cylindrical / Rectangular
Ladders, Railing, Float type level indicators, etc.

Fresh Acid: 50 KL x 1 no. FRVE Pickled Acid: 100 KL x 3 Nos. FRVS
Regenerated Acid: 100 KL x 3 Nos. FRVS



150 KL FRVS Tank for HCL Storage



20 KL PPH / FRVE Tank



20 KL to 5000 KL for Water Application



300 KL PP / FRP Tank for SLES Storage



200 KL PP / FRP Tank for SLS Storage



100 KL FRVS Tank for CLO2 Storage



5 KL FRP Tank for H2SO4 Storage



HDPE Sprial Tanks



PROCESS / REACTION VESSELS



100 KL FRVS Reaction Vessel
Size : 5.1 m dia x 9.2 m Total Height



40 KL FRP Reaction vessel with
agitator assembly mounted separately



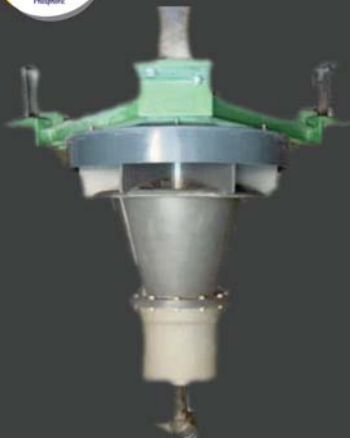
30 KL FRP Reaction vessel
with coil and sparger



2.3mm PFA lining on MS agitator



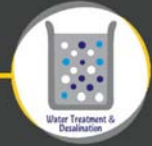
PVC mixer pump for PAP



20 KL Reaction vessel



PIPES / DUCTING & FITTINGS



1.1m Dia x 12m length



Sodium Hypochlorite Service



2.5 m Dia Duct for fume exhaust at 50 m height



Ducting with Damper for HCL Service



Dilute Sulphuric Service





Sea Water Service

350NB pipe working at 22 bar pressure



Anolyte Header



Catholyte Header



Damper Valves



Fittings



Fittings



Pipes for Sewage



Launders for Slurry



POLLUTION CONTROL EQUIPMENT

Scrubbers can be designed for the following gases:
 NH₃, H₂SO₄, HCL, SO_x, NO_x, H₂S, CL₂, etc or any other gases as per requirement



Fume Exhaust System for pickling plant



Mercury removal tower
 5.3 m Dia x 18.4 m Height



FRP CHIMNEY



High efficiency centrifugal blowers
 upto capacity: 1,00,000 CFM /700mm WC



Ventury Scrubbing System





Liquid Distributor



CPVC norton type support



FRP norton type support



COLUMNS



Lean Gas Scrubber
1.7 m dia x 15 m height



Vapour Liquid Separator
3 m dia x 9.1 m height



Spin Bath Solution Evaporator:
 $\text{Na}_2\text{SO}_4 + \text{H}_2\text{SO}_4 + \text{ZnSO}_4 + \text{H}_2\text{O}$



Ion Exchange Column
1.8 m dia x 5.4 m height - 16 nos.



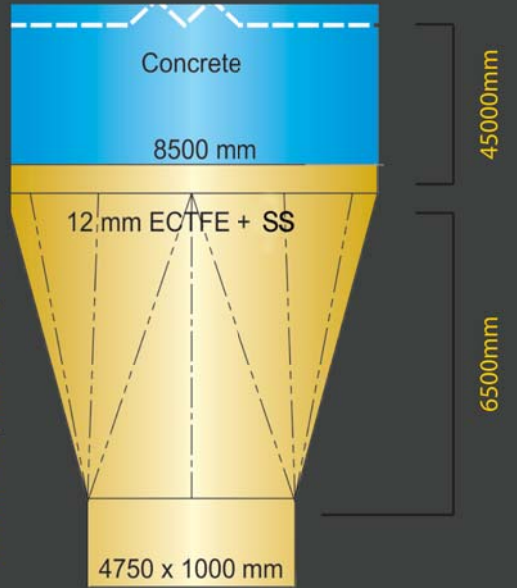
LININGS



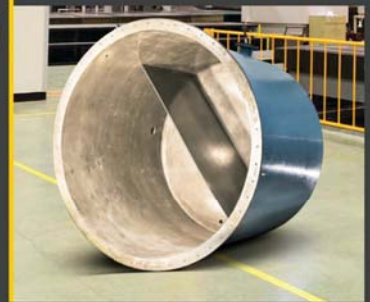
2.3mm MPTFE lining to MS agitator for 50 KL reaction vessel



12 mm ECTFE lining to SS bottom cone of ammonium sulphate prilling tower



7.5 KL ECTFE coated MS vessel



2.3mm ECTFE + FRVS Duct



150 KL Reaction vessel for HF, H2SO4, H3PO4, K2SO4 4.2m Dia x 11.5m HT CS - FEP Lined



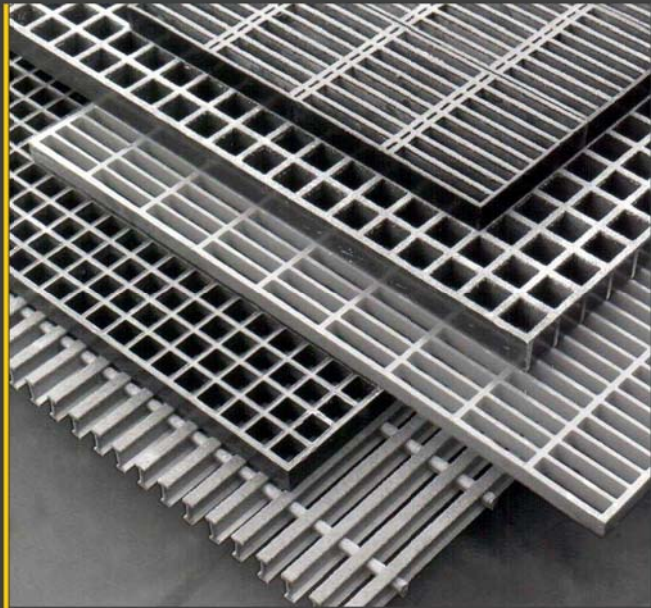
2.3mm PFA + MS for sodium chlorate project Capacity: 2m³ to 20m³ (Qty:7 Nos.)



SO2 quench
2.9m diam x 13.8m height
2.3mm ECTFE + FRP



GRATINGS, RAILINGS & CABLE TRAYS



FRP Flange Guard

PP Flange Guard

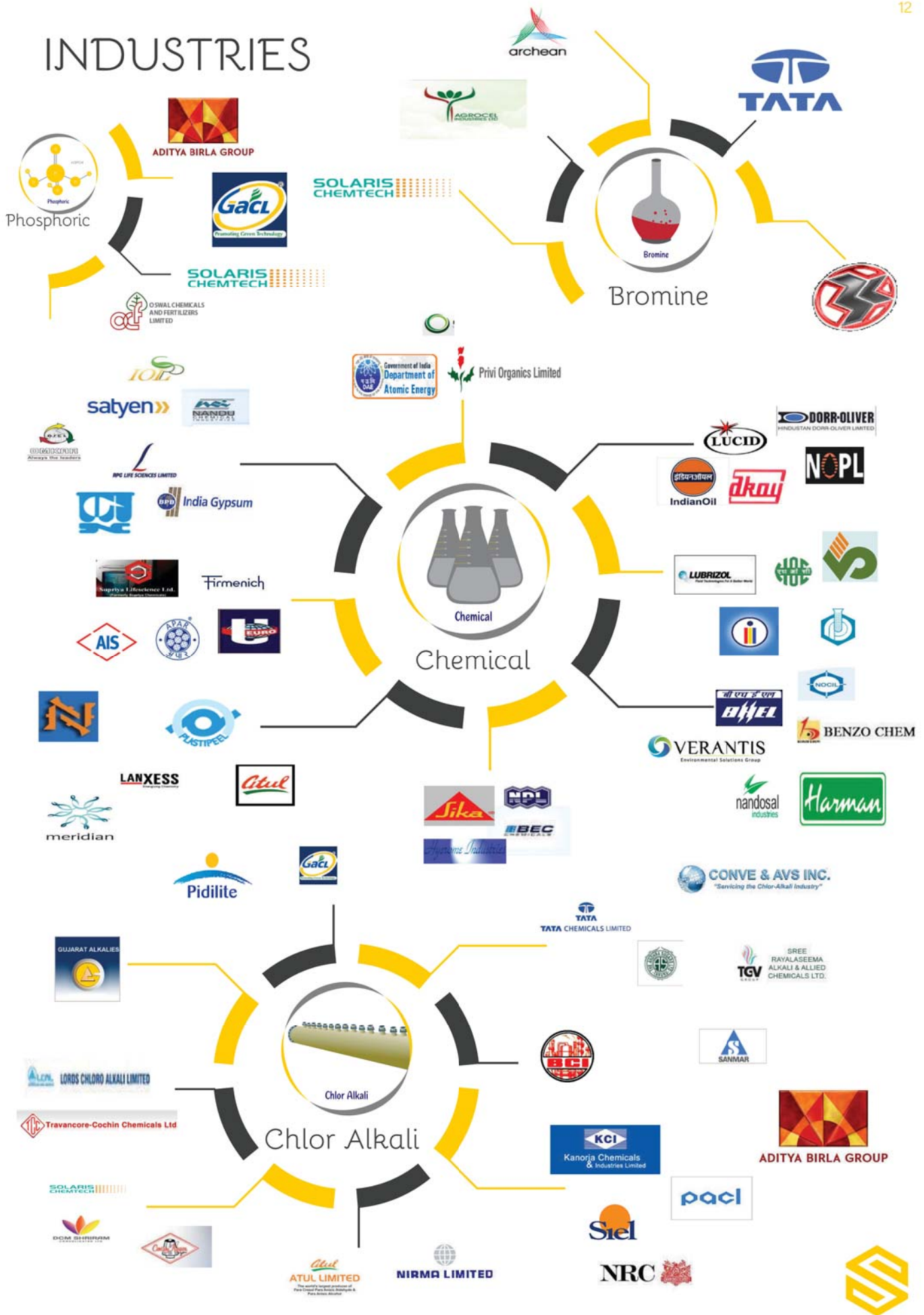
PTFE Coated Flange Guard

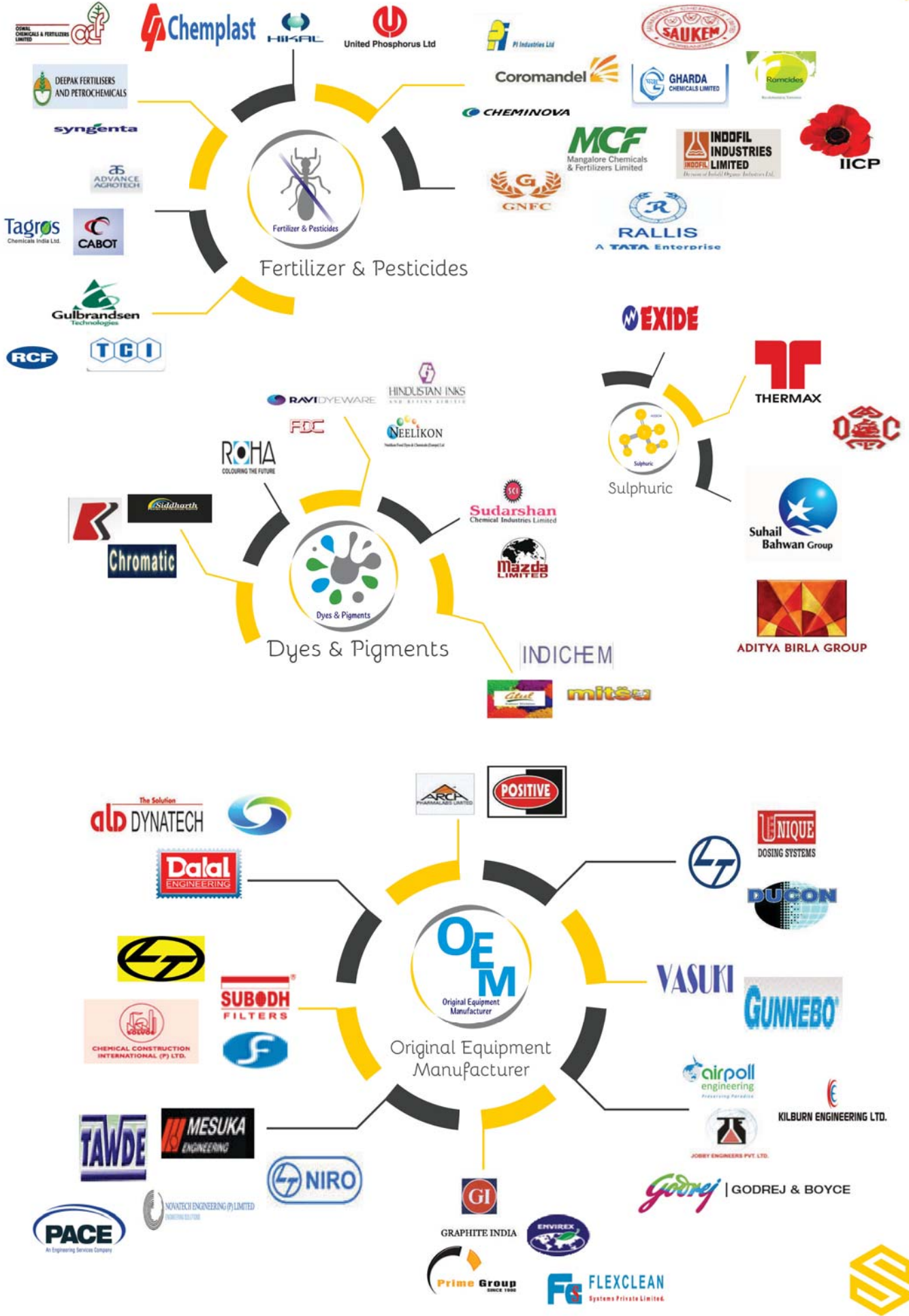


HOODS & COVERS



INDUSTRIES



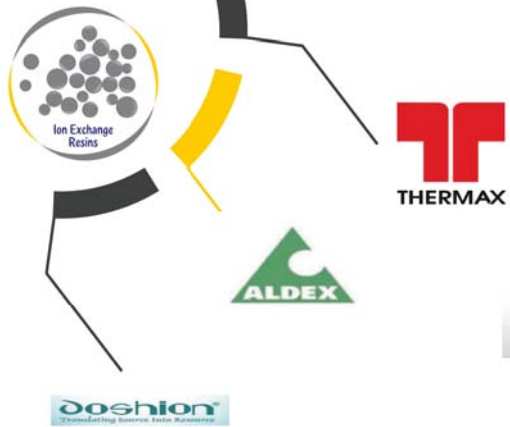




Surfactants & Sulphonation



Ion Exchange Resins



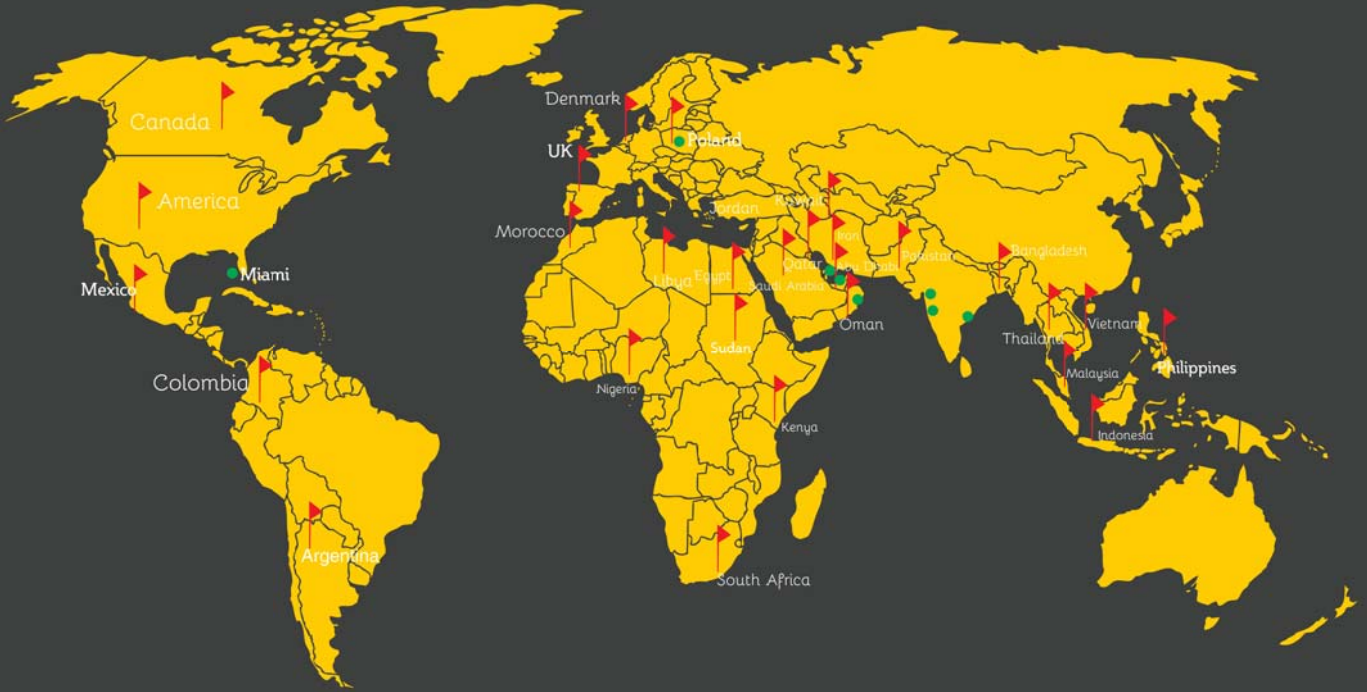
Binani ZINC Ltd.



Pharmaceutical



OUR GLOBAL SUPPLIES & OFFICES



PIPING
REACTORS
AMC
BLOWERS
CABLE TRAYS
TUBES
DUCTING
GRP
RAILING SYSTEMS
POLLUTION CONTROL
EQUIPMENT
POLYPLAST
SITE FABRICATION
FIGHTING CORROSION
STORAGE TANKS SOLUTIONS
FRP
BEAMS
GRATINGS
COLUMNS
CHANNEL
SO PIPES
DOG BONE
STRIPS
1967
SCRUBBERS
FILTERS
ECR ROD
LINING SYSTEMS



Thakore Industrial Estate, Kurla Kirol Road, Vidyavihar (W), Mumbai 400 086
 Tel: +91 22 2511 6659 | Mob: +91 98198 80171 Email: mktg@polyplast.co.in
 Website : www.polyplast.co.in